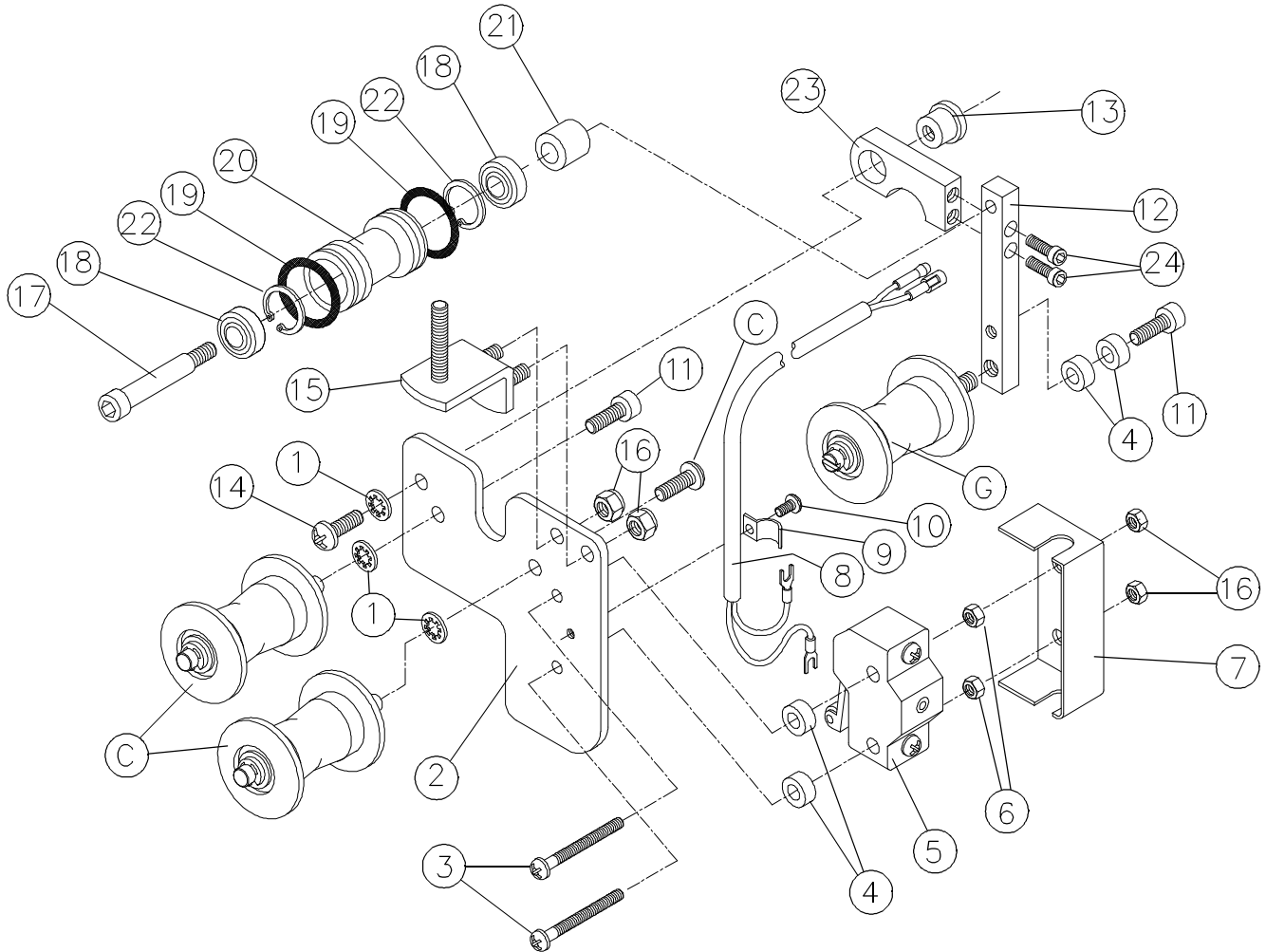


Wrap Detector

Parts Manual

PRODUCT INFORMATION BULLETIN #3395



- | | |
|--|---|
| C) 1447 Pulley Shaft #6 & Pulley Assy. 35mm | 12) 3384 Wrap Detector Roller Bar |
| G) 1504 Column Shaft & Pulley Assy 35mm | 13) 3385 Wrap Detector Pivot Bushing |
| 1) 1078 Lockwasher #10 - Internal Tooth | 14) 1071 Screw PTH 10-32 X 3/8" |
| 2) 3381 Wrap Detector Base Plate | 15) 3416 Wrap Detector Swivel Brkt. Assy. |
| 3) 3388 Screw PPH 6-32 X 1 1/4" | 16) 1084 Locknut, Nylon Insert 6-32 |
| 4) 2400 Spacer 3/8" Alum. Rnd. #10 X 1/8" | 17) 3392 Shoulder Screw 1/4" X 1 1/2" |
| 5) 2413 Micro Switch - Short Roller Arm - HD | 18) 2407 Bearing 5/8" OD X 1/4" ID |
| 6) 1083 Nut Hex 6-32 | 19) 3390 O-Ring 1/8" X 13/16" ID X 1 1/16" OD |
| 7) 3387 Wrap Detector Switch Cover | 20) 3386 Wrap Detector Tensioner Roller |
| 8) 3394 Wrap Detector Plug Harness | 21) 3391 Spacer Nylon 1/2" OD X .257" ID X 1/2" |
| 9) 3393 Cable Clamp | 22) 3310 Retaining Ring Internal 5/8" Bowed |
| 10) 1065 Screw PTH 6-32 X 1/4" | 23) 3383 Wrap Detector Pivot Bar |
| 11) 1592 SHCS 10-32 X 1/2" | 24) 3397 SHCS 4-40 X 1/2" |