

# Make-up Table (ELR) Adapter Plate

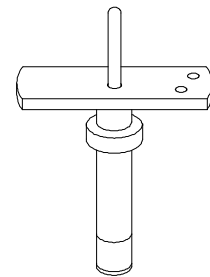
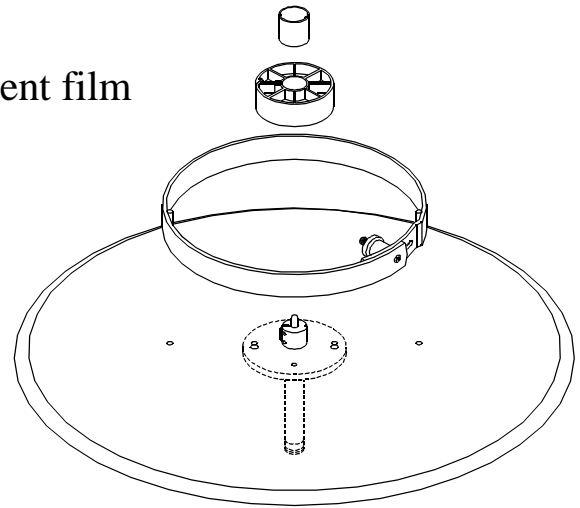
## Extended Length Reel Adapter Plate for Make-Up Table PIB 3915

Designed for use on a make-up table for convenient film make-up and break down from the new (ELR) Extended Length Reel.

Can also be used to handle coming attractions and reel-to-reel requirements.

### FEATURES

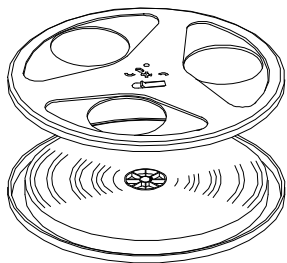
- Replaces the plastic **ELR** when making-up and breaking down from the table.
- Provides more precise film alignment with rollers.
- Available for round drive plates (#3930) and early model drive plates (#3931).
- Accepts standard center ring.
- Can be used with all film cores with 1" I.D. centers (both internally and externally keyed).



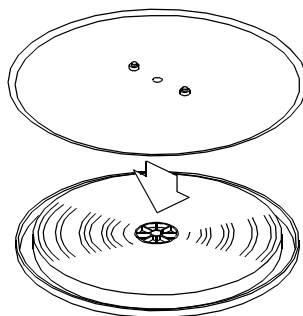
Early model  
drive plate #3931

**Film Capacity:** 4" Core - 7000 feet, 13" Center Ring - 5300 feet.

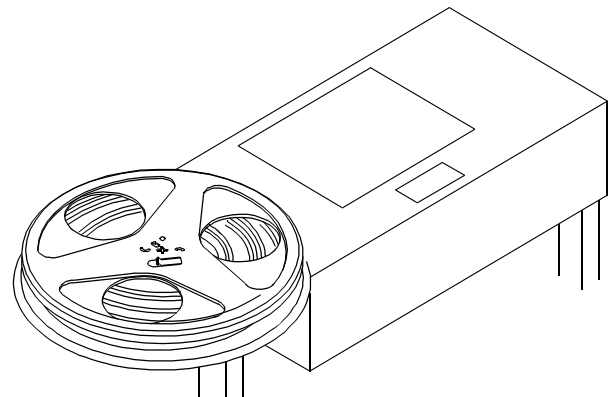
**Specifications:** 26 1/2" diameter, .090" thick aluminum



Step 1. Remove one side  
of plastic **ELR**.



Step 2. Install **ELR** Reel  
Adapter Plate.



Step 3. Flip over Reel Adapter Plate  
And install on table drive plate.