

Alpha 70mm Operation Manual

PRODUCT INFORMATION BULLETIN #3006
SUPPLEMENT TO ALPHA OPERATION MANUAL #2989

APPLICATION

This supplement contains instructions for changing a 35mm/70mm Platter System from 35mm configuration to 70mm configuration. The 70mm Pulley has been designed to operate with either 35mm or 70mm film in most applications. However, when converting from one size film to the other, some of the pulleys must be changed over to 35mm or 70mm for proper operation.

SYSTEM CONVERSION FROM 35mm TO 70mm FILM

1.) Remove the 35mm Control Plates by grasping two of the small rollers on opposite sides of the control plate and pulling straight up. Install the 70mm Control Plates by inserting the plug-in hub on the bottom of the control plate into the disk spindle and gently rotating the control plate until the locating pin on the hub lines up with the slot. The control plate should drop easily into place.

2.) Install the removable Take-Up Weight (See Fig. 1)

3.) Remove the five 35mm Castor Swivel Assemblies (3 located on side of the column, 1 at the upper column bracket and 1 on the lower column bracket beneath the Take-Up).

NOTE: The three Castor Swivel Assemblies on the column and the one on the upper column bracket are right-hand castor assemblies. The Castor Swivel Assembly located on the lower column bracket is a left-hand swivel assembly. Make sure these are replaced with the corresponding assemblies when changing from one film size to the other.

The 70mm Castor Swivel Assembly has two vertical slots in the mounting bracket. Use the lower slot when mounting the assemblies to the column (See Fig. 2). Either slot can be used when mounting the top and bottom assemblies.

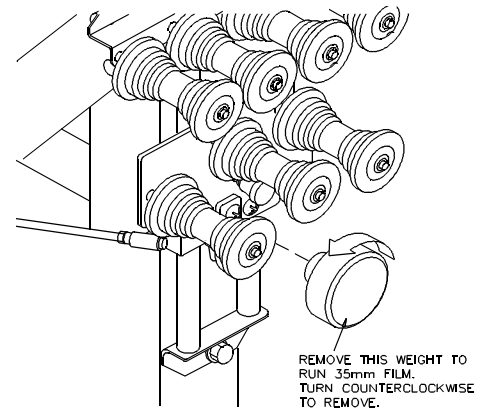


Figure 1

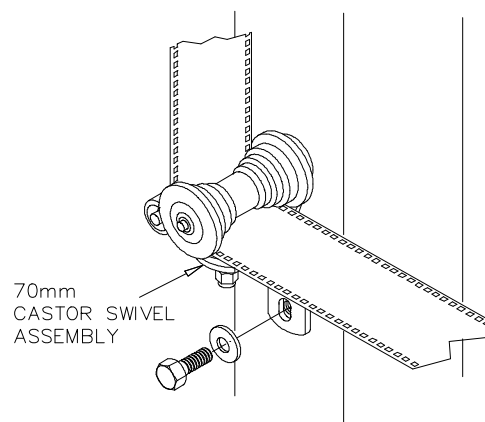


Figure 2

NOTE: Readjust all swivel assemblies after the initial thread-up and before running the first program. Be sure that the height of the swivel rollers is adjusted so that the film does not rub on the platter disk. Failure to do so may result in film damage.

SYSTEM CONVERSION FROM 70mm TO 35mm FILM

- 1.) Remove the 70mm Control Plate and install the 35mm Control Plates. (See step 1 above.)
- 2.) Remove the Take-Up Weight. (See Fig. 1.)
- 3.) Remove the 70mm Castor Swivel Assemblies and replace with the 35mm Castor Swivel Assemblies. (See step 3 above.)

SYSTEM OPERATION

When threading the film for 35mm operation, see the threading diagrams in the 35mm Alpha Operation Manual #2989. When threading the film for 70mm operation, use the threading diagrams for the 35mm Alpha with the exception of the Control Plate and Take-Up. Refer to Figures 3 and 4 for threading instructions for these. All other operating instructions are included in the 35mm Alpha Operation Manual #2989.

Operation and conversion instructions for the Make-Up Table are included with the table and the 35mm/70mm Table Conversion Kit.

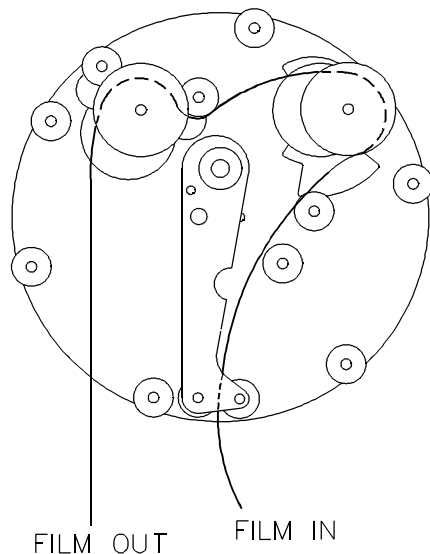


Figure 3

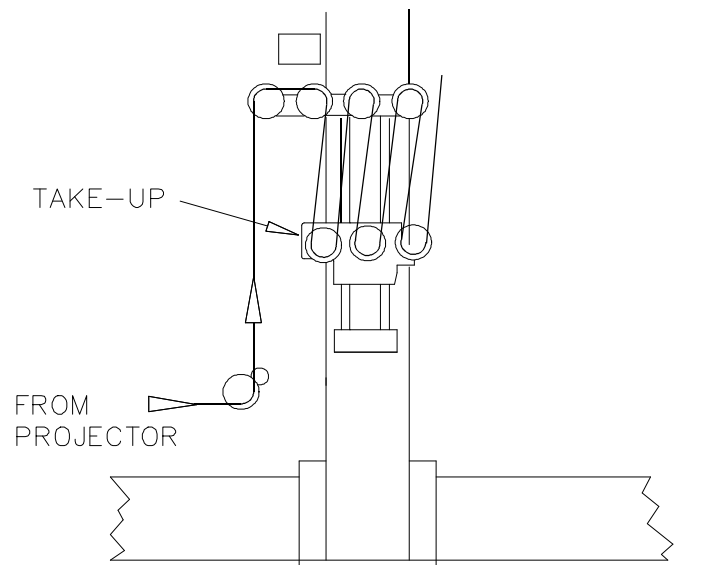


Figure 4