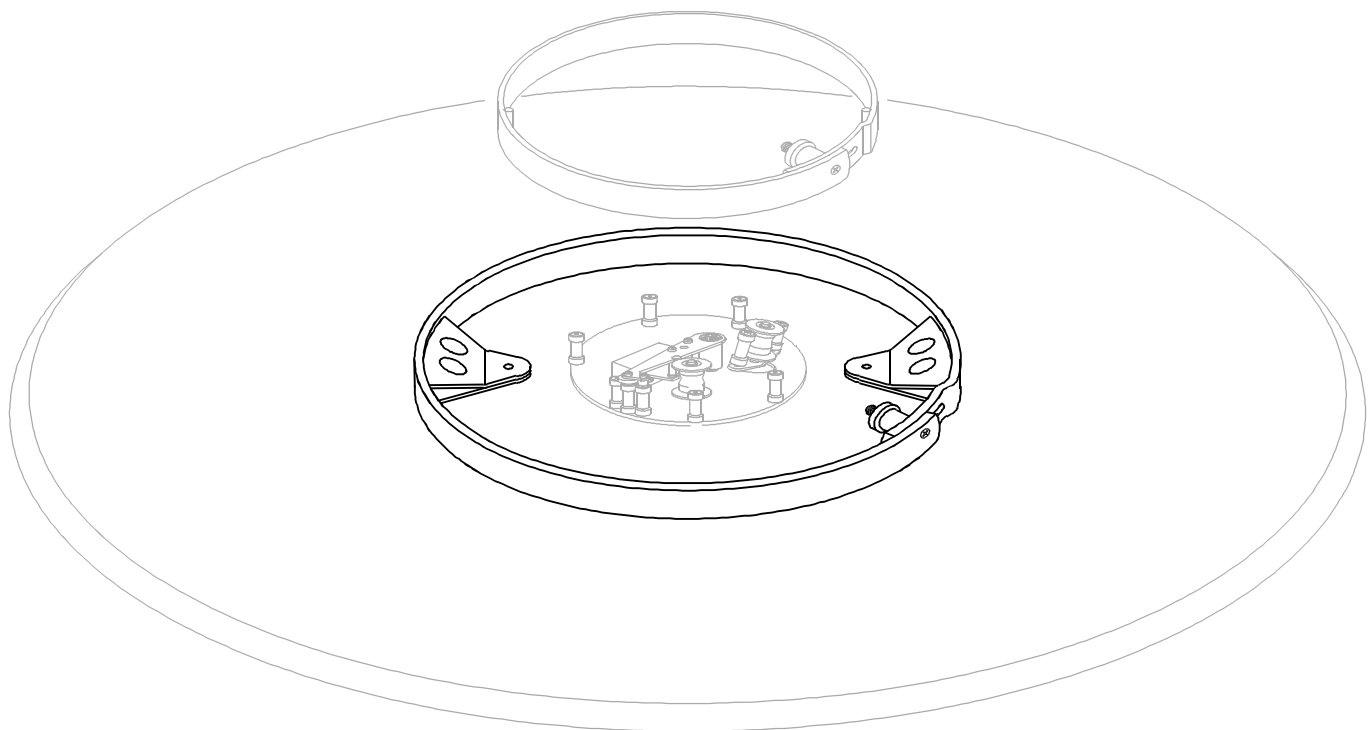


# 19" Center Ring

The 19" Center Ring allows coming attractions or other film additions to be inserted at the beginning of the program. Up to 20 minutes (1800 feet) of film can be made up on the standard 13" diameter center ring and placed into the 19" diameter opening.

## Features

- ◆ Locates in 13" Center Ring holes.
- ◆ Can be used on all existing platters without drilling new holes.
- ◆ Heavy 3/16" construction.



Order Part # 3960, Center Ring Assy., 19" Dia.