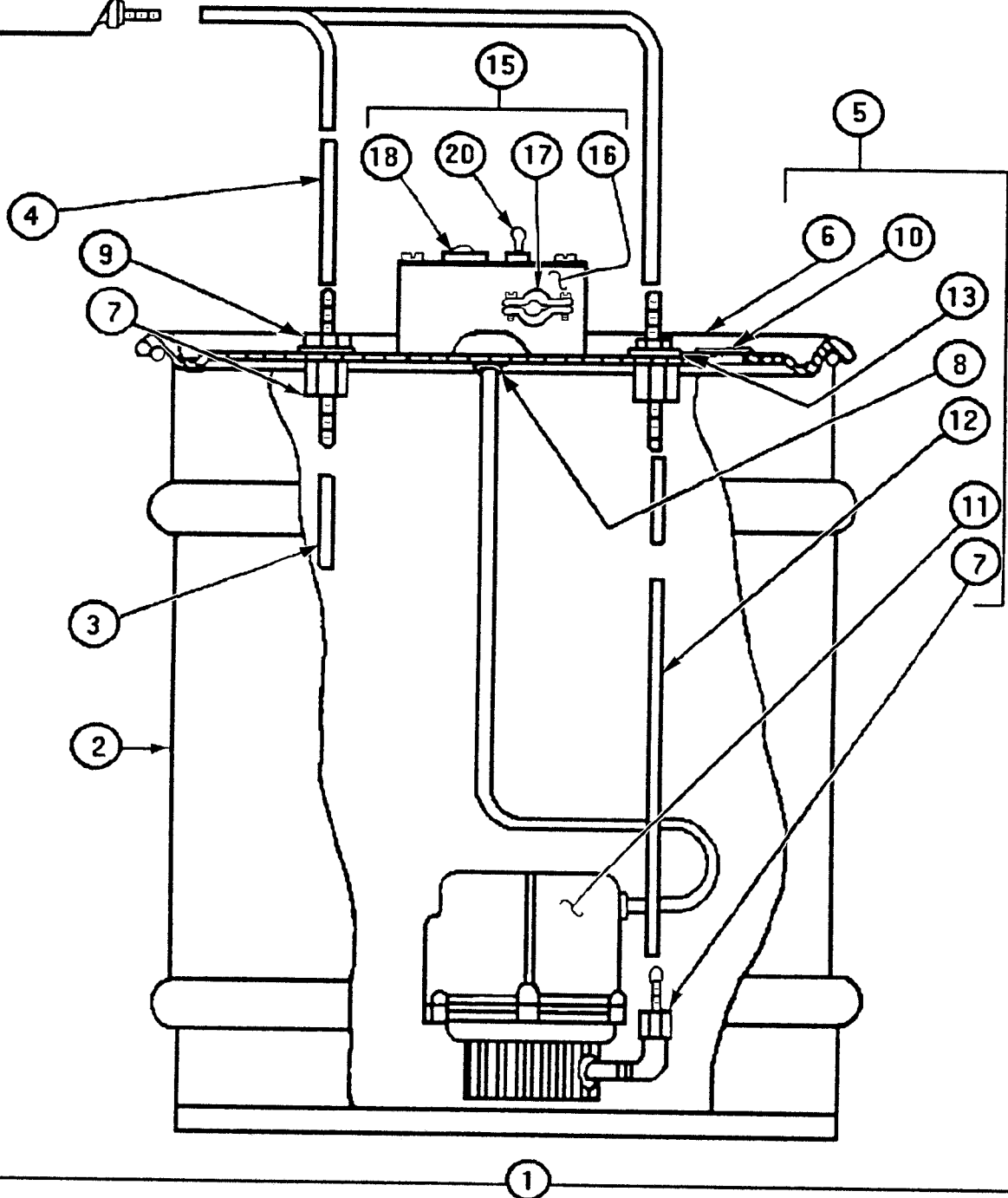


WATER RECIRCULATOR

C8-T-360 (60 Hz.)

C9-T-360 (50 Hz.)

PROJECTOR



PARTS LIST
Water ReCirculator Assembly

<u>Item</u>	<u>Part No.</u>	<u>Description</u>
1	82-70006	Complete Assembly (120 V.AC, 60 Hz.)
1	82-70007	Complete Assembly (230 V.AC, 50 Hz.)
2	DR-0107	Water Drum, 12 gal. capacity (81-98004)
3	TU-0370	Return Tube
4	TU-0371	Water Tube, 2 ft. Pieces (2 req'd.)
5	C8-T-364	Drum Cover & Pump Assembly (60 Hz.)
6	CR-0779	Drum Cover
7	CN-0894	Female Connector
8	GM-0079	Wire Grommet, Pump Cover
9	81-20001	Male Connector (2 req'd.)
10	PG-0206	Plug Button
11	PM-1053	Pump Motor, 120 V.AC, 60 Hz.
11	PM-1066	Pump Motor, 230 V.AC, 50 Hz.
12	TU-0372	Tube, Water Pump
13	WA-0139	Gland Nut Washer
14	WI-0273	Connecting Wire, Lamp & Switch
15	C8-T-365	Control Box Assembly
16	BX-1129	Switch Box
17	CN-0708	Strain Relief Cable Clamp
18	LT-0120	Pilot Light, 120 V.AC
18	61-30001	Pilot Light, 230 V.AC
19	PE-1043	Name Plate
20	SW-2467	Toggle Switch
-	81-98005	Locking Ring, Drum Cover (not shown)

Fluid level must cover submersible pump; use 4:1 to 8:1 ratio of *distilled* water mixed with all-season automotive antifreeze.