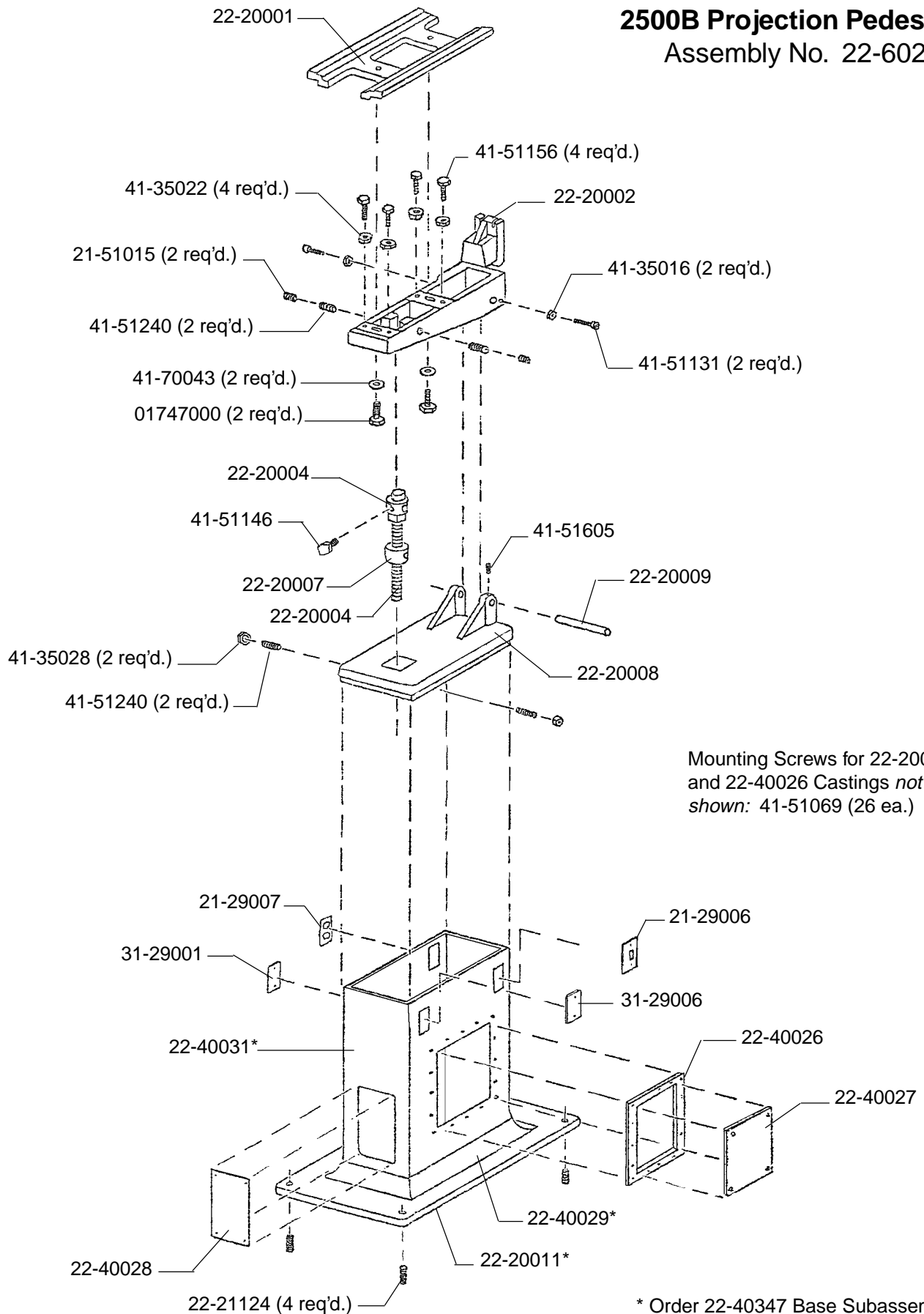


2500B Projection Pedestal Assembly No. 22-60252



Optional 3500-E Exciter Lamp Power Supply may replace 22-20028 Cover.

2500B Projection Pedestal

Assembly No. 22-60252

Parts List

01747000	Screw, 3/8-16 x 3" Hex Head
21-29006	Cover, Switch
21-29007	Cover, Duplex Receptacle
21-51015	Set Screw, 5/8-11 x 1/2" Slot Head
22-20001	Lamphouse Carriage Casting
22-20002	Overarm Casting
22-20004	Elevation Screw Assembly
22-20007	Adjusting Collar
22-20008	Table & Pivot Bracket Casting
22-20009	Overarm Pivot Pin
22-20011	Base Plate *
22-40026	Frame Casting, Access Cover
22-40027	Side Cover Plate
22-40028	Rear Cover Plate
22-40029	Skirt *
22-40031	Stand *
22-40347	Base Subassembly
31-29006	Cover, Blank
41-35016	Hex Nut, 1/4-20
41-35022	Jam Nut, 7/16-14 Hex
41-35028	Jam Nut, 5/8-11 Hex
41-51069	Screw, 8-32 x 1/2" Self-Tapping
41-51131	Screw, 1/4-20 x 1-1/2" Fillister Head
41-51146	Screw, 3/8-16 x 3/4" Hex Head
41-51156	Screw, 7/16-14 x 1-1/2" Hex Head
41-51240	Set Screw, 5/8-11 x 1-3/4" Socket Head
41-51605	Set Screw, 1/4-20 x 1/2" Slot Head
41-70043	Flat Washer, 3/8"
*	Order 22-40347 Base